

VRLA Rechargeable Battery

TP12-20

YOUR BEST POWER SOURCE SOLUTIONS

FEATURES

TP12-20 is a general purpose battery with 3~5 years service life under normal float charge at 25°C. LCB batteries are rechargeable Seal Lead highly efficient, leak proof and maintenance free.

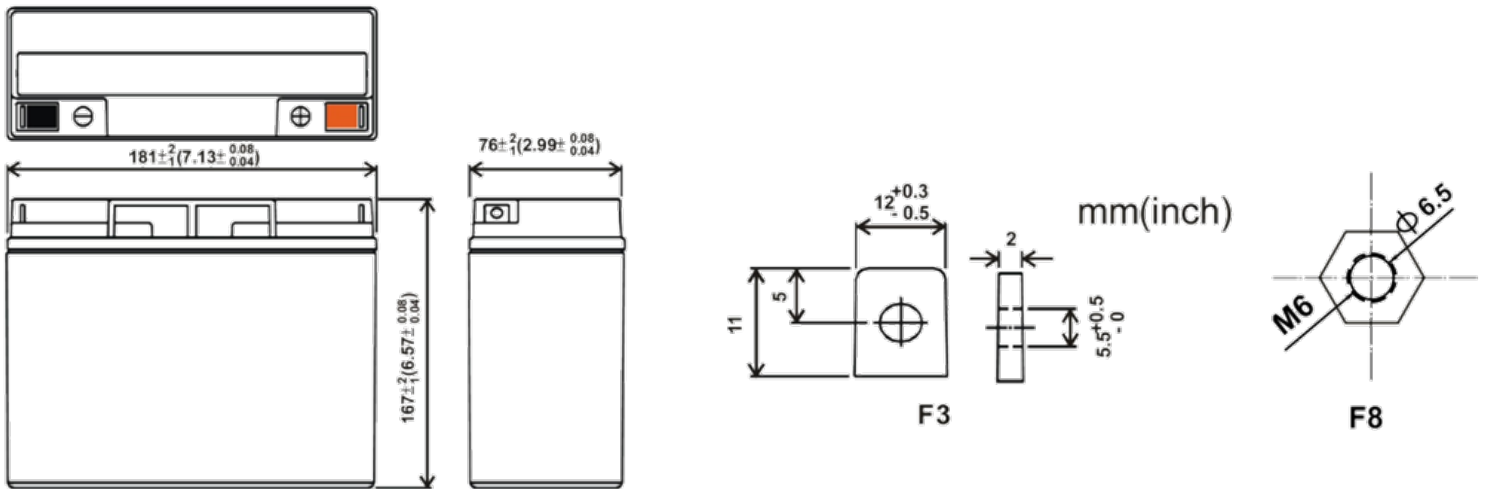


SPECIFICATION

Cell per unit	6	Ambient temperature	
Nominal Voltage (V)	12	Charge	0°C (32°F) to 40°C (104°F)
Nominal Capacity (Ah)	20Ah @ 20hour rate F.V(1.75/Cell)	Discharge	-15°C (5°F) to 50°C (122°F)
Weight	Approx 6.10 kg(13.44Lbs.)	Storage	-15°C (5°F) to 40°C (104°F)
Internal Resistance (1KHz)	9mΩ	Max charge Current	
Max Discharge Current (5s)	300A (5s)	Cycle use :	Max charge current : 6.6A
Battery Life :	Stand by : 3~5 years		Charge voltage: 14.4V to 15.0V
Terminal Type	NB(F3)/IT(F8)	Stand by :	Charge voltage: 13.5V to 13.8V
Container Material	ABS(Option : 94-HB & 94V-0 flame retardant case)		



DIMENSIONS	Length	Width	Height	Total Height
Unit: mm	181±1	76±1	167±1	167±1
Unit: inch	7.13±0.04	2.99±0.04	6.57±0.04	6.57±0.04



Constant current discharge characteristics Unit:A(25°C 77°F)

F.V/Time	5MIN	15MIN	30MIN	60MIN	2HR	3HR	5HR	8HR	10HR	20HR
1.60V	80.2	38.5	25.1	13.8	8.03	5.71	3.85	2.55	2.06	1.13
1.65V	71.2	35.8	24.0	13.7	8.00	5.69	3.79	2.50	2.04	1.11
1.70V	67.3	33.5	23.3	13.6	7.98	5.41	3.77	2.48	2.02	1.10
1.75V	61.0	32.1	22.6	13.4	7.94	5.35	3.58	2.41	1.97	1.06
1.80V	54.4	30.0	22.0	13.3	7.87	5.10	3.42	2.35	1.93	1.05

Constant power discharge characteristics Unit:W(25°C 77°F)

F.V/Time	5MIN	15MIN	30MIN	60HR	2HR	3HR	5HR	8HR	10HR	20HR
1.60V	900.0	510.0	262.0	153.0	83.00	63.40	44.64	29.88	23.10	13.20
1.65V	880.0	506.0	256.0	149.0	81.00	62.30	43.82	29.32	22.80	12.83
1.70V	870.0	500.0	253.0	148.0	80.50	61.50	43.54	28.75	22.70	12.75
1.75V	835.0	483.0	243.0	144.0	78.20	60.70	41.62	27.90	22.40	12.47
1.80V	760.0	453.0	228.0	139.0	76.40	58.60	40.70	27.30	22.00	12.40